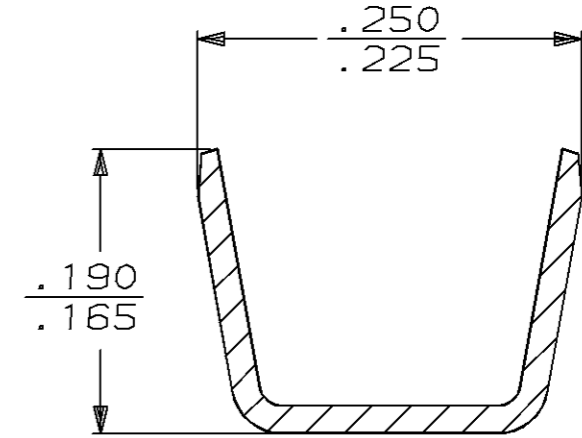
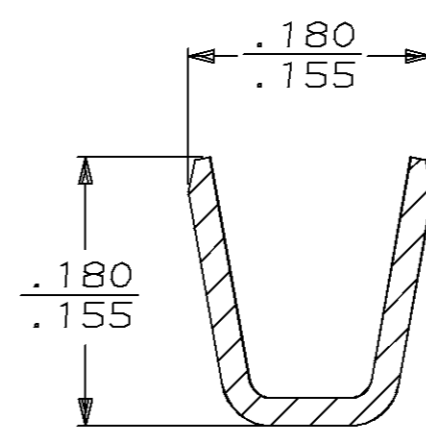
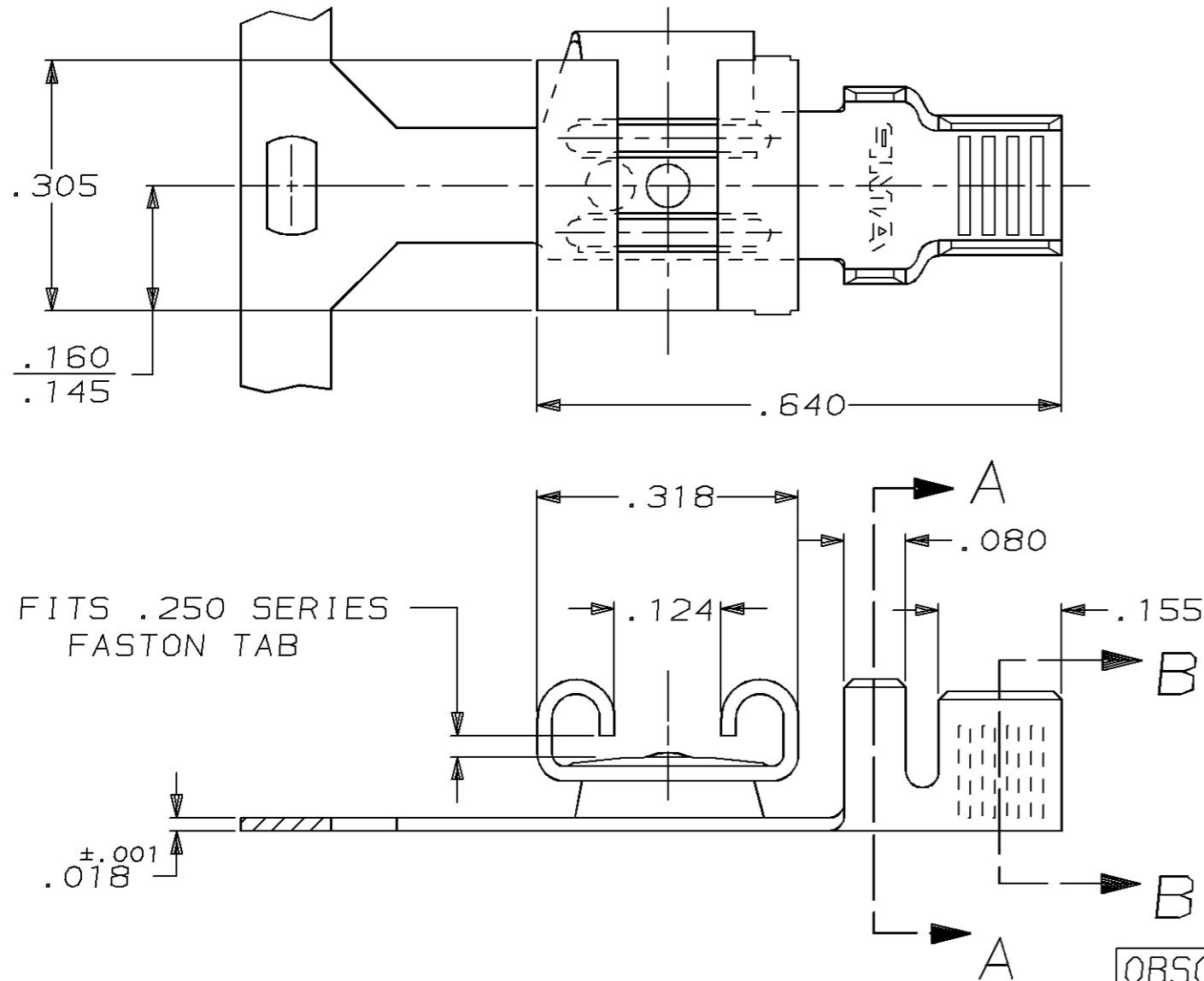


THIS DRAWING IS UNPUBLISHED. RELEASED FOR PUBLICATION, 19
 © COPYRIGHT 19 BY AMP INCORPORATED. ALL INTERNATIONAL RIGHTS RESERVED.

LOC	DIST	P	F	ZONE	LTR	DESCRIPTION	DATE	APPD
AF	50				N	NO CHG PER 0710-0498-95	11/14/95	JR/PD

1 CONTINUOUS STRIP ON REELS.



FITS .250 SERIES FASTON TAB

OBSOLETE
OBSOLETE

DO NOT SCALE PRINT. UNLESS SPECIFIED DIMENSIONS ARE IN INCHES. TOLERANCES ON: 2 PLC DEC ± - 3 PLC DEC ± .010 ANGLES ± -	MATERIAL SEE TABLE	FINISH SEE TABLE	DR 3/22/90 JR RUTH	TIN .000080 MIN	T4 BRASS	.032	MATING TAB THK ±.001	PART NO
			CHK 3/22/90 MS FEHER	SILVER .000150 MIN	T3 PHOS BRZ			
			APPD 3/22/90 C MEYERS	TIN .000080 MIN	T3 PHOS BRZ			
			APPD 3/22/90 R KUZO	NAME RECEPTACLE, FASTON™ FLAG, REVERSIBLE, .250 SERIES				
			PRODUCT SPEC	APPLICATION SPEC 114-2032	SIZE B	CAGE CODE 00779	DRAWING NO 61188	
			WEIGHT -	SCALE 5:1	SHEET 1 OF 1			